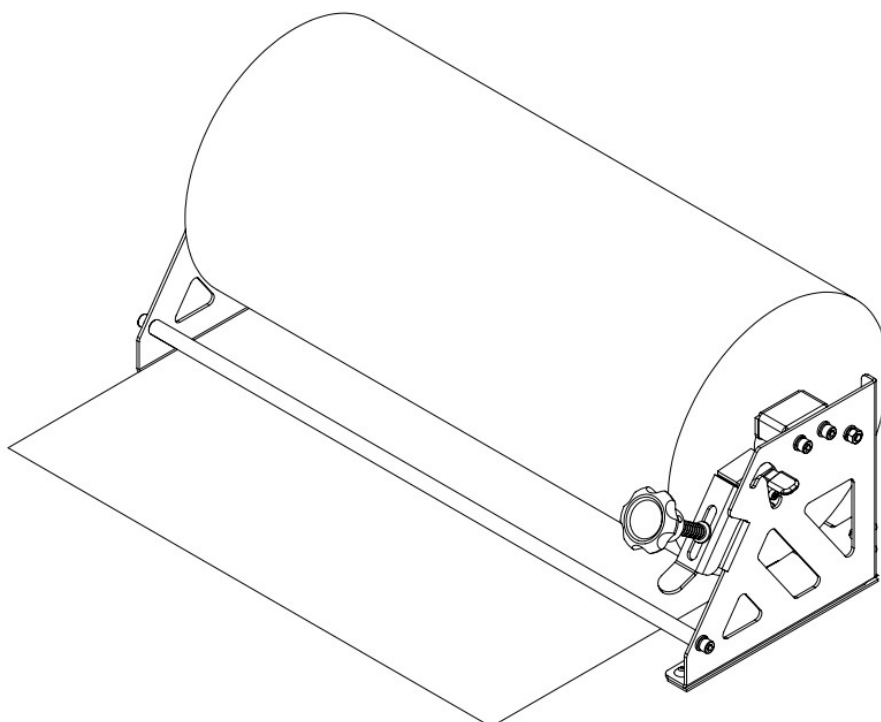




LP-H1S/LP-H1M User Manual



Hangzhou Bing Jia Tech. Co., Ltd.

Email: info@lockedair.com

**F1 7, Block 11, China Artificial Intelligence Town(CAIT), Hangzhou 311121,
P.R.China.**

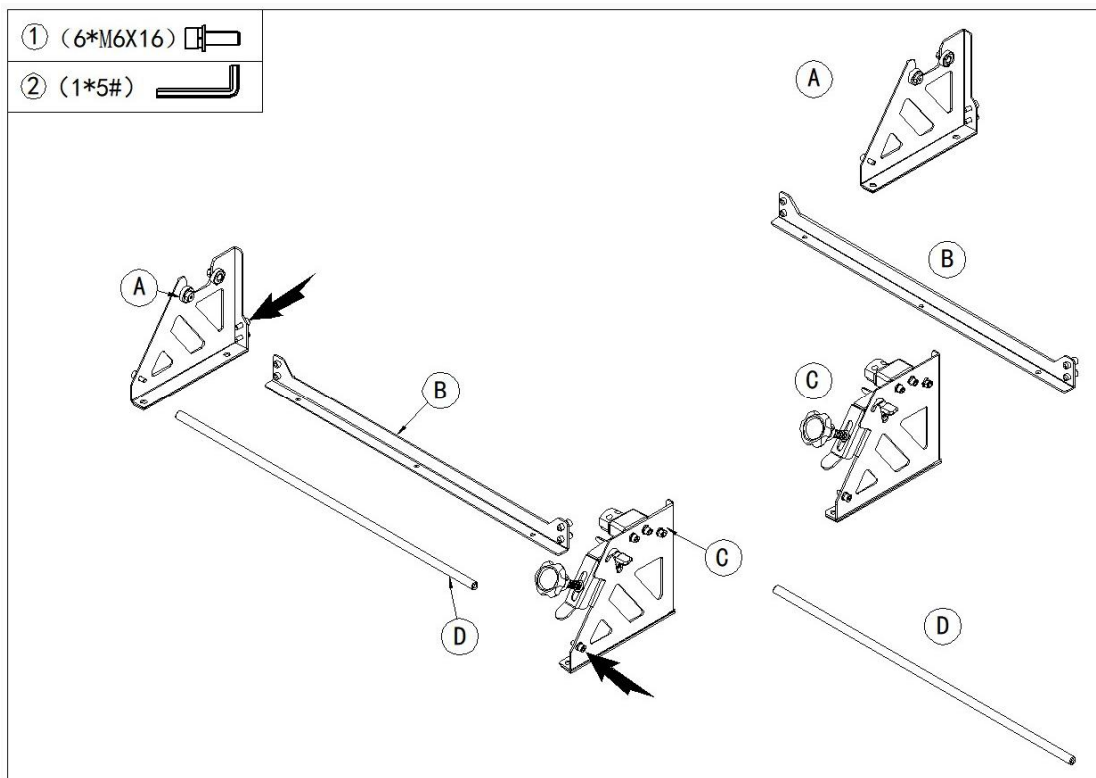
Content

1. Installations and Operation	1
1.1 Installations.....	1
1.2 Operation.....	2
2. Paper specifications	3
3. Transportation and Storage	3
4. Appendix	3

1. Installations and Operation

1.1 Installations

- 1、 Lock D into hole of Plate C as black arrow shows by using 5# allen wrench and M6X16 screws and then fix another size of D into Plate A;
- 2、 Use 5# allen wrench and M6X16 screws to fix B into hole of plate A as black arrow shows and also lock another size of B into plate C separately.



1.2 Operation

(1) How to fix dispenser

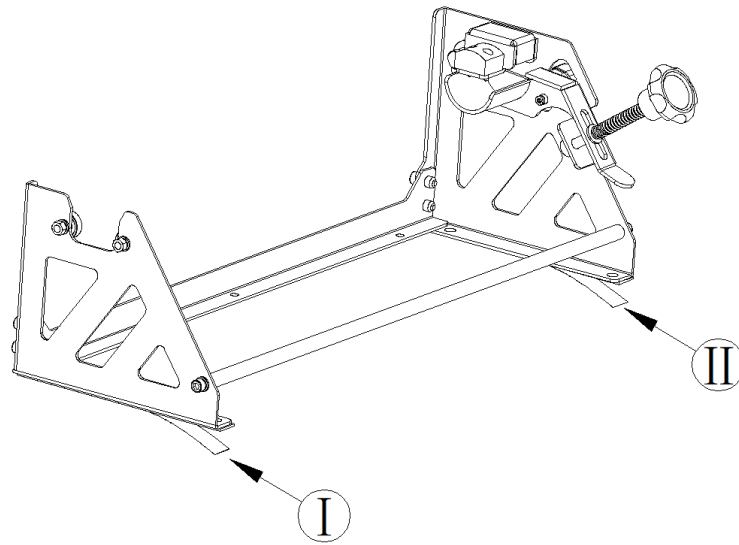
A、 Clean up operation table;

B、 Tear off isolation film of two side adhesive tapes under the dispenser and then place this dispenser on table; (Following picture I and II for your reference)

C、 During using, if you need to move the dispenser, just tear off the two tapes and fix them on other places;

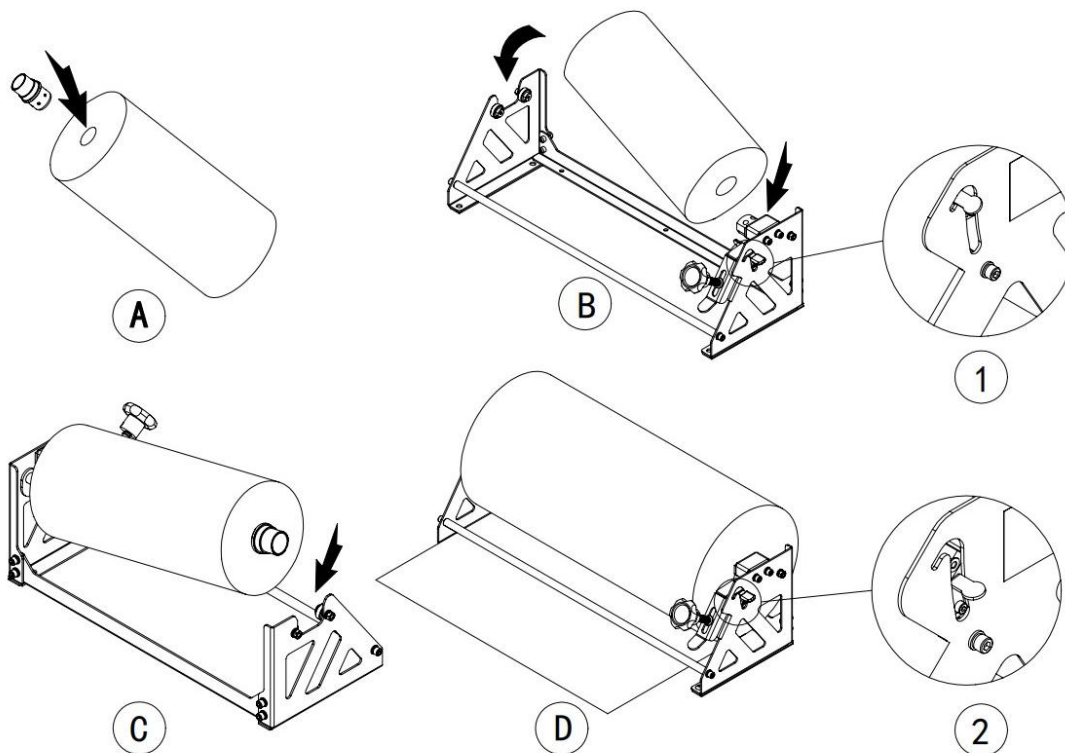
D、 When you tear off these two tapes, if any self-adhesive, deformed, elongated or dust absorbed appear, please clean these tapes with cold water; After your washing, the adhesive tapes have their shrinkage recovery ability and they can be used again after drying;

E、 If the adhesive tape is elongated seriously, kindly suggest users to cut it a little shorter then use again or consider to replace a new one.



(2) How to use the dispenser

- A. Stuff a roller into core of honeycomb paper;
- B. Close the damping pull ring (image: serial number 1), hold the paper roll by two hands and slide paper roll right side into the paper tensioning part;
- C. Place left side of paper roll gently into plate slot, at this time the bearing could be rotated with paper roll now
- D. After finish paper loading, stretch honeycomb papers under support rod and open the damping pull ring. (Image: serial number 2);



2. Paper specifications

Honeycomb Kraft Paper:

Weight: 80g/m²

Paper Width: 500 mm(LP-H1S) 380 mm(LP-H1M)

Core Diameter: 2inch

Length of paper: 250m

3. Transportation and Storage

1. There should be no severe vibration or shock during the transportation of the machine;
2. The machine should not be exposed to the sun and rain, and should be stored in an environment with a temperature range of -25~+55 °C (-13~131°F) and a relative humidity less than 90% RH.

4. Appendix

Machine size and paper loading path

